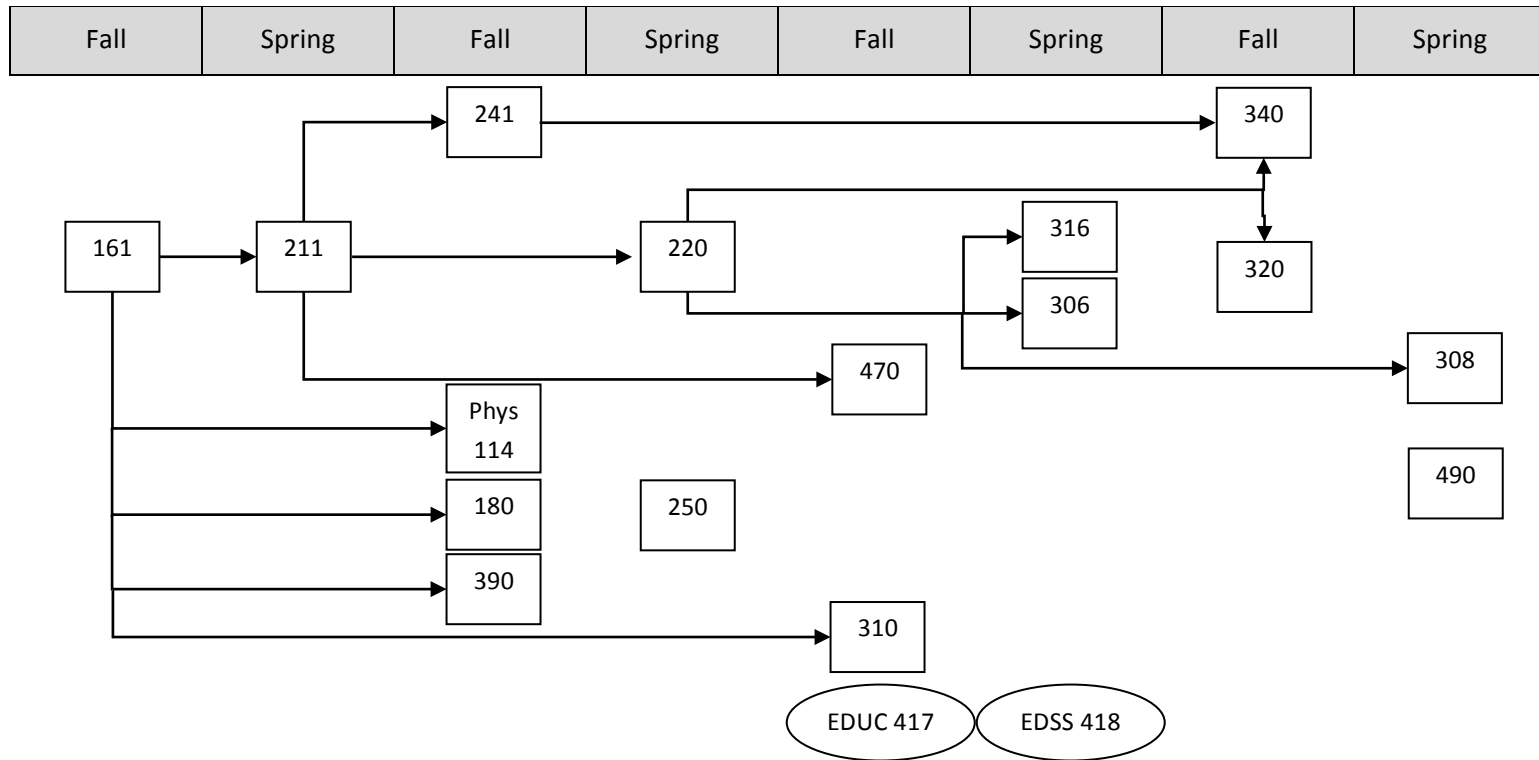


Flowchart for Secondary Teaching Concentration



Transfer students having finished Calculus sequence, Linear Algebra and Differential Equations at the JC

